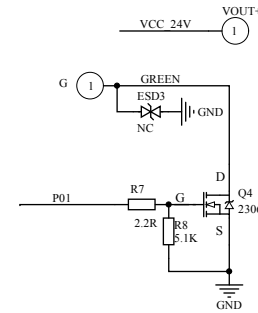
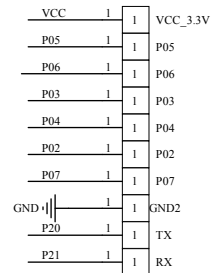
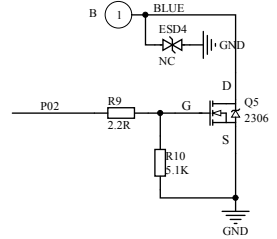
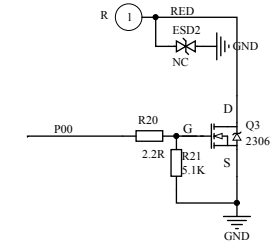


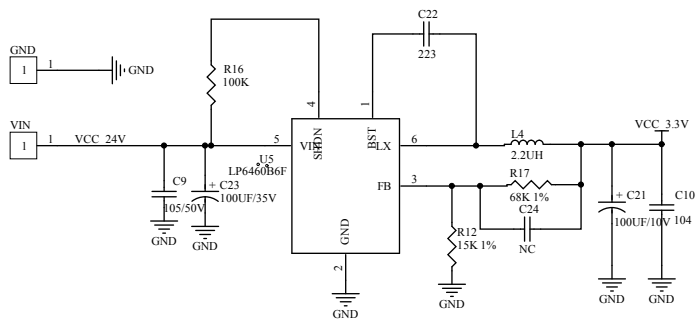
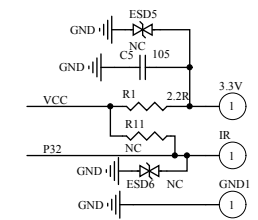
BK3431S



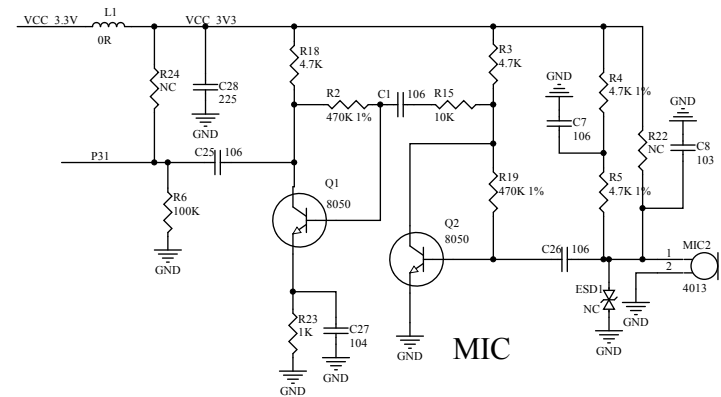
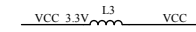
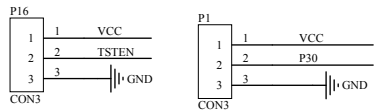
TO LED



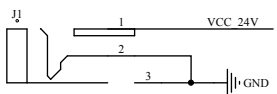
TO IR



TO POWER



MIC



Title		
Size	Number	Revision
A3		
Date:	2021/5/8	Sheet of
File:	E:\Fin\SSXW-TH	BK3431SCH.DOC