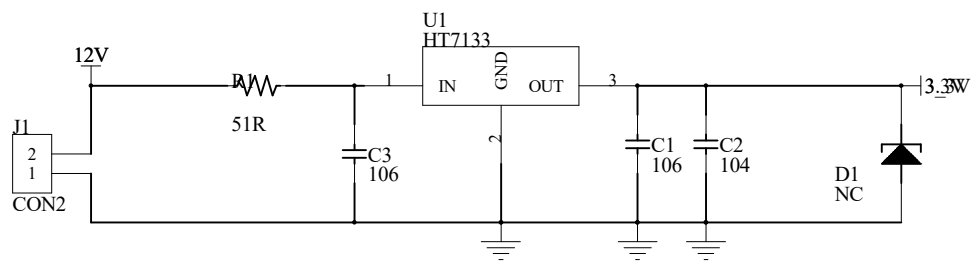
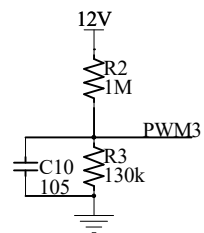
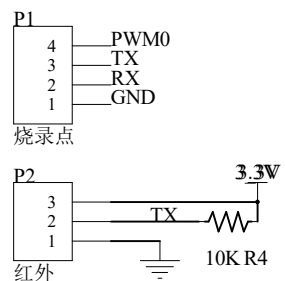


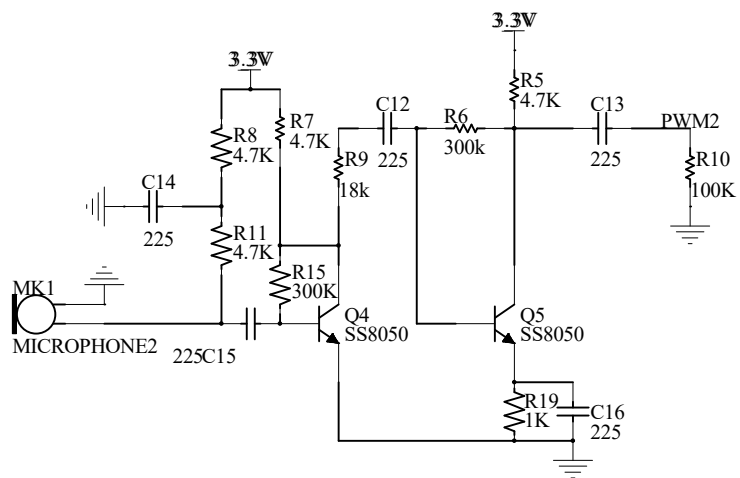
A



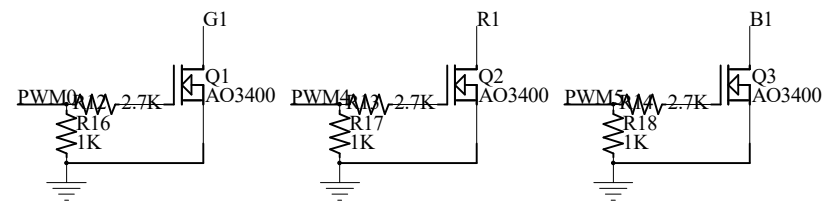
B



C



D



Title		
Size	Number	Revision
Date:	Sheet of	
File:	Drawn By:	

A

B

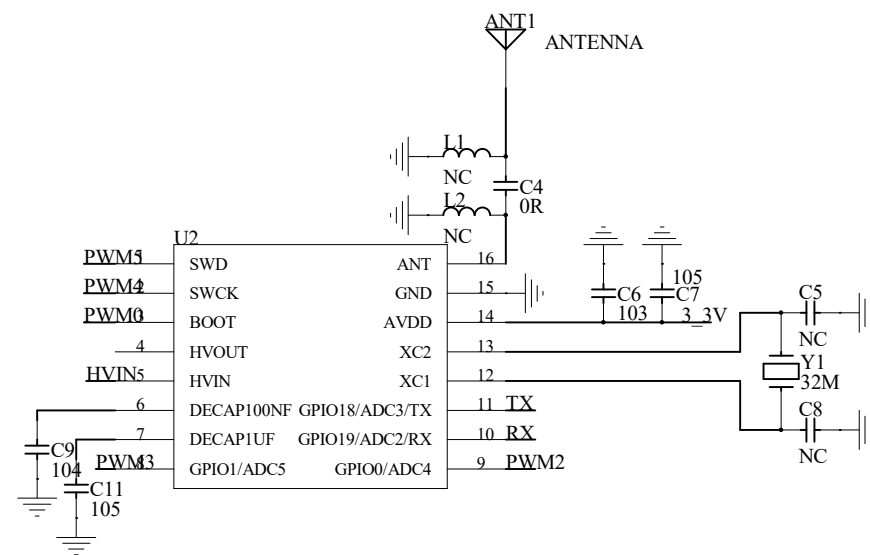
C

D

4

5

6



4

5

6

1

2

3

1

2

3